



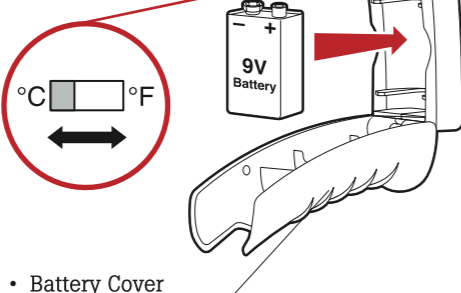
62

Mini Infrared Thermometer



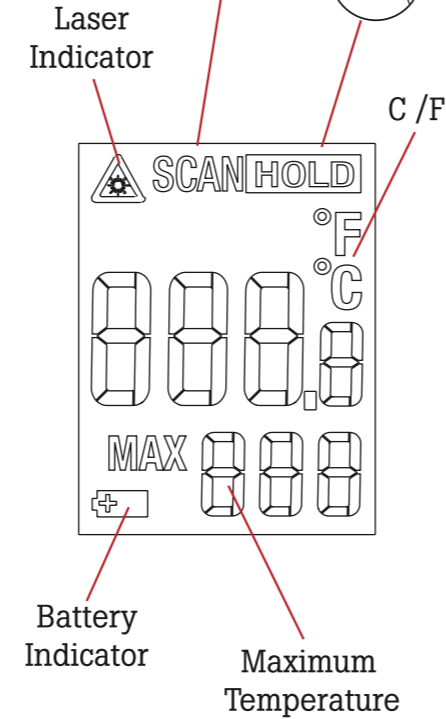
- Laser
- Laser
- Laser
- Láser
- Laser
- 激光
- レーザ

- Trigger
- Gächette
- Messtaste
- Gatillo
- Gatilho
- 扳机
- トリガ

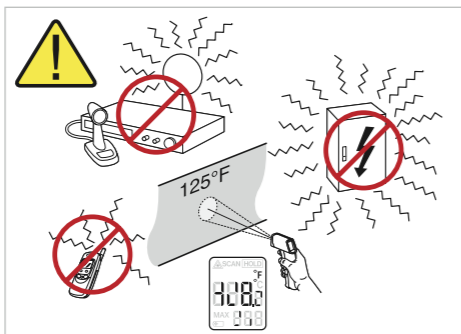
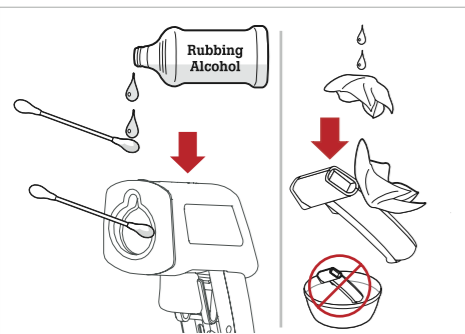
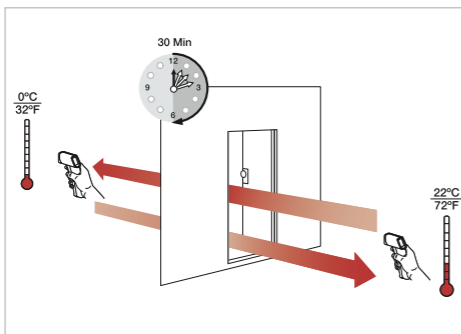
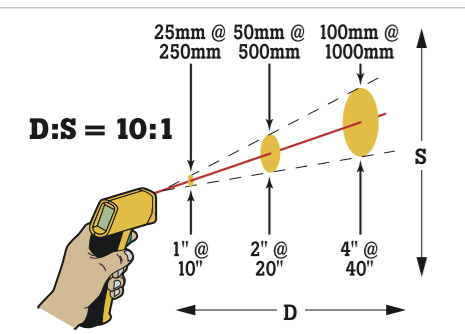
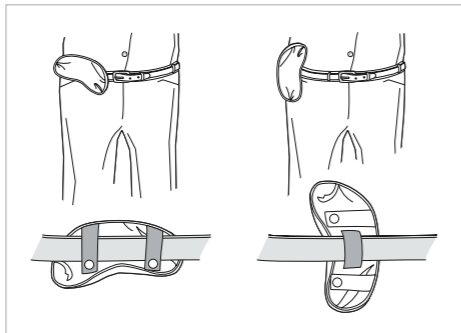
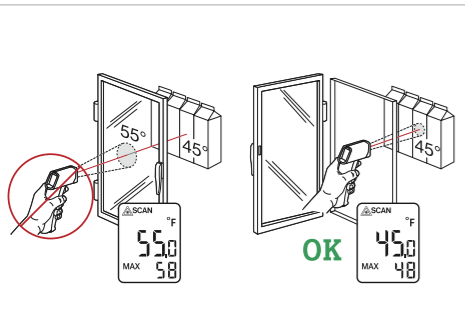
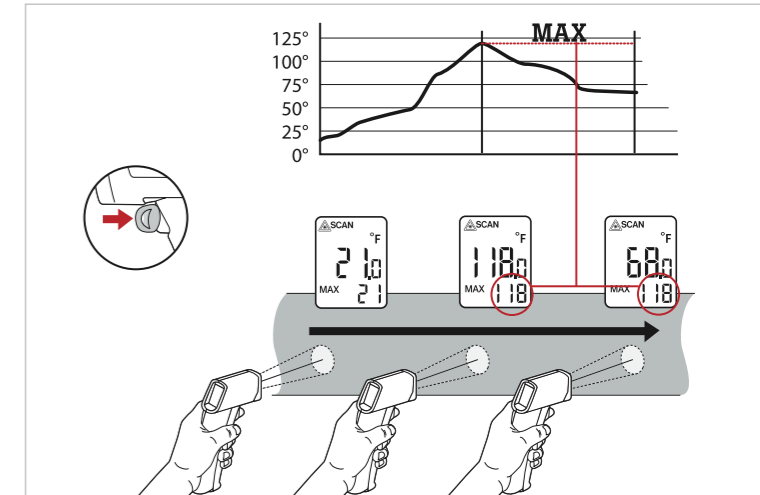
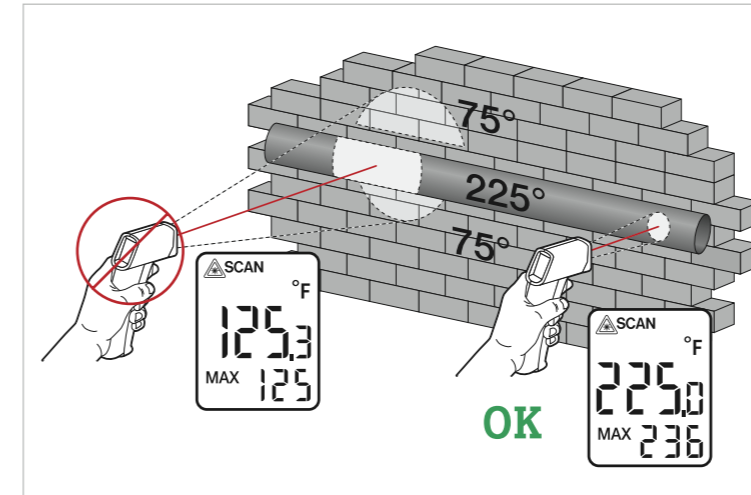
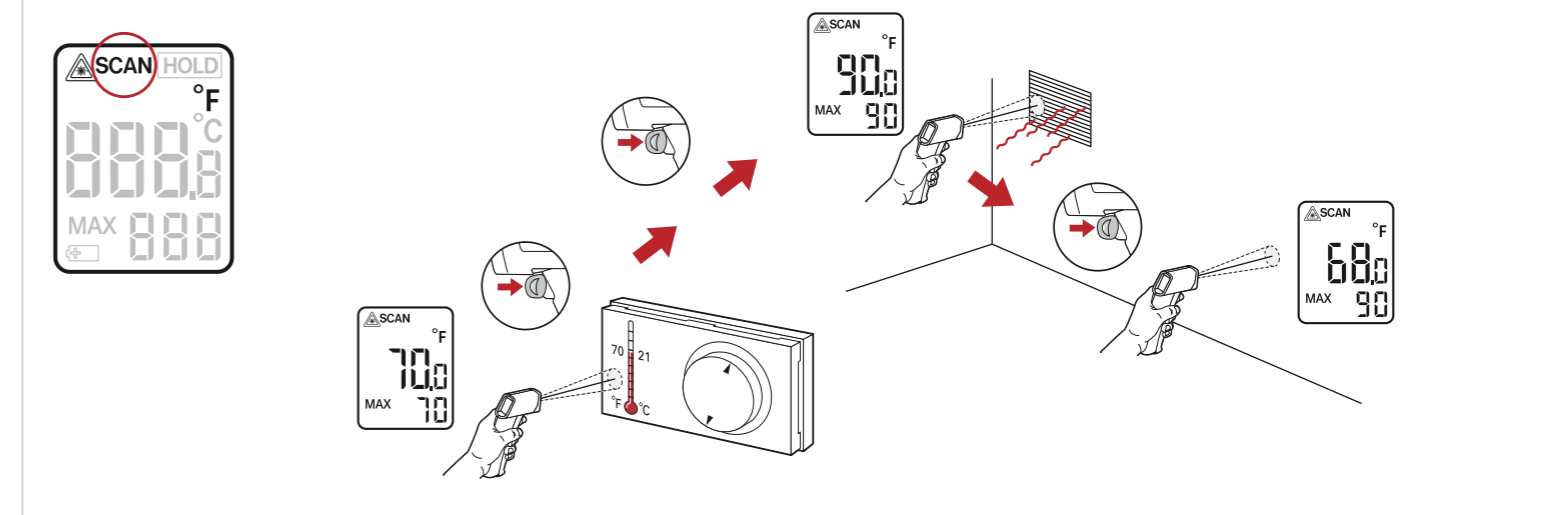


- Battery Cover
- Batterieabdeckung
- Couvercle du boîtier pile
- Tapa de las pilas
- Tampa da bateria
- 電池蓋
- バッテリーカバー

- Display
- Anzeige
- Affichage
- Pantalla
- Display
- 显示面板
- ディスプレイ



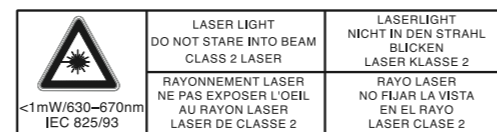
- Laser Indicator
- Battery Indicator
- Maximum Temperature



Specifications \ Spécifications \ Especificaciones

Temperature Range	Temperaturbereich	Etendue de mesure	Range de Temperatura	Rango de Temperatura	温度範囲	測定温度範囲	-30 °C to 500 °C (-20 °F to 932 °F)
Accuracy: Assumes ambient operating temperature of 23 °C ±2 °C (73 °F ±4 °F)	Genauigkeit: bei einer Umgebungstemperatur von 23 °C ±2 °C (73 °F ±4 °F)	Précision par 23 °C ±2K ambiant	Précisão Assume a temperatura operacional ambiente de 23 °C ±2 °C ambient (73 °F ±4 °F)	Precisión Suponiendo Temperatura Ambiente de Operación 23 °C ±2 °C ambient (73 °F ±4 °F)	精度 环境为23°C±2°C 或73°F±4°F	測定精度 (23°C±2°Cでの値)	10 °C to 30 °C (50 °F to 86 °F): ±1 °C (2 °F) Outside 10 °C to 30 °C (50 °F to 86 °F): ±1.5 °C (3 °F) or ±1.5 % of reading, whichever is greater. Under -10° C (14° F) ±2° C (4° F)
Response Time (95%)	Ansprechzeit (95%)	Temps de réponse (95%)	Tempo de Resposta (95%)	Tiempo de Respuesta (95%)	响应时间	応答速度	<500 mSec
Spectral Response	Spektrale Empfindlichkeit	Réponse spectrale	Resposta Espectral	Respuesta Espectral	响应波长	応答波長	6.5 to 18 microns
Emissivity	Emissionsgrad	Emissivité	Emissividade	Emissividad	发射率	放射率補正	Preset to E=0.95
Optical Resolution (D:S)	Optische Auflösung (E:M)	Résolution optique (D:S)	Resolução Óptica (D:S)	Resolución Óptica (D:S)	光学分辨率 (D:S)	D:S比	10:1 (calculated at 80 % energy)
Repeatability	Reproduzierbarkeit	Reproductibilité	Repetibilidade	Repetibilidad	重复性	反復精度	±0.5 % of reading or ±1 °C (±2 °F) whichever is greater
Ambient Operating Range	Umgebungstemperaturbereich	Température ambiante	Range Operacional de Ambiente	Temperatura Ambiente de Operación	操作环境温度	動作環境温度	0 ° to 50 °C (32 °F to 120 °F)
Relative Humidity	Relative Luftfeuchte	Humidité relative	Umidade Relativa	Humedad Relativa	相应湿度	相对湿度	90 % (±5 % RH noncondensing @ 30 °C (86 °F))
Storage Temperature	Lagertemperatur	Température de stockage	Temperatura de Armazenamento	Temperatura de Almacenamiento	储存温度	保存温度	-20 ° to 65 °C (-4 °F to 150 °F) without battery
Weight/Dimensions (with battery)	Abmessungen Masse (inklusive Batterien)	Dimesions Masse (avec les piles)	Peso/Dimensões (com bateria)	Peso/Dimensiones (con batería)	重量/尺寸 (带(电池))	重量/寸法	200 g (7 oz.) 152 x 102 x 38 mm (6 x 4 x 1.5 in)
Power	Spannungsversorgung	Alimentation	Alimentação	Alimentación	电源	電源	9 V battery
Battery Life	Batterielebensdauer	Autonomie des piles	Durabilidade de Bateria	Duración de la Bateria	电池寿命	バッテリー駆動時間	12 Hours
Display Resolution	Anzeigenaufösung	Résolution d'indication de température	Resolução do Display	Resolucion en Pantalla	显示分辨率	表示分解能	0.2 °C (0.5 °F)
Display Hold	Anzeigenhaltezeit	Durée d'affichage	Espera do Display	Retención de Lectura	显示保持	ホールド時間	7 seconds
Standards	Standards	Standards	Padrões	Estándares	标准	適合規格	Conforms to EN 61326-1 Electromagnetic Emissions and Susceptibility, EN 61010-1 General Safety, EN 60825-1 Laser Safety
Laser	Laser	Laser	Láser	Laser	激光	レーザー	FDA and IEC Class II
Certifications	Zertifizierung	Certification	Certificado	Certificaciones	认证	認証	CE

Specifications subject to change without notice.



CE Certification

This instrument certified to the following standards:

- EN 61326-1 Electromagnetic Emissions and Susceptibility
- EN 61010-1 General Safety
- EN 60825-1 Laser Safety

Between approximately 250 MHz and 800 MHz at 3V/m, the instrument may not meet its stated accuracy.

PLEASE RECYCLE  
PREIRE DE RECYCLE  
RECYCLE



Fluke Corporation  
P.O. Box 9090  
Everett, WA  
98206-9090

Fluke Europe  
P.O. Box 1186  
5602 BD Eindhoven  
The Netherlands

PN 2435212 Rev. C  
March 2005  
©2005 Fluke Corporation. All rights reserved.  
Printed in China. www.fluke.com

